


# PRODUCT SHEET

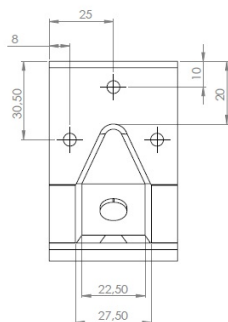
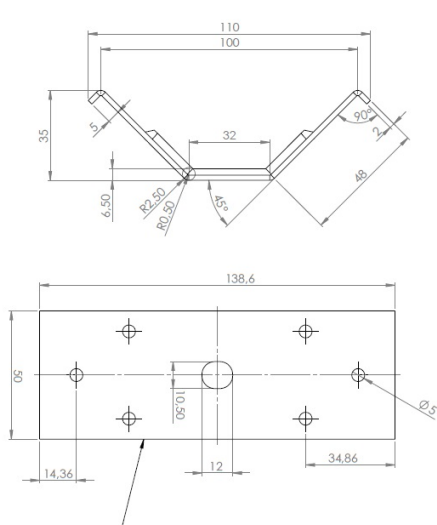
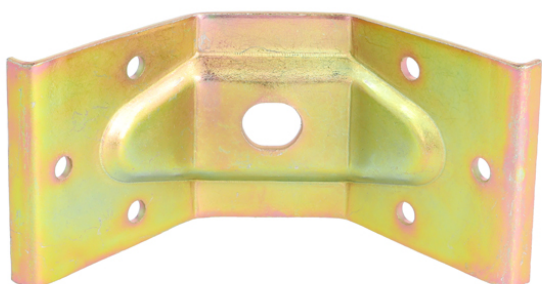
## Description:

Leg Corner Bracket No. 26, 2.0mm, Steel, YZP, 6 Micron

## Item number:

11.07.066-1

| Units | Box | Carton | HS Code    | Barcode  |
|-------|-----|--------|------------|--|
| Pcs.  | 1   | 100    | 8302420090 |  |
|       |     |        |            | 5704866016087  |



Notice: View is the approx. flattened profile

## SISO A/S

Mileparken 11  
DK-2740 Skovlunde  
Denmark  
VAT: DK 24786013

Phone +45 45 830 900

[www.siso.dk](http://www.siso.dk)  
[siso@siso.dk](mailto:siso@siso.dk)

Danske Bank  
Nytorv Branch  
Copenhagen  
SWIFT: DABADKKK

Account no.  
4180 3112 112936  
IBAN Account  
DK7230003112112936